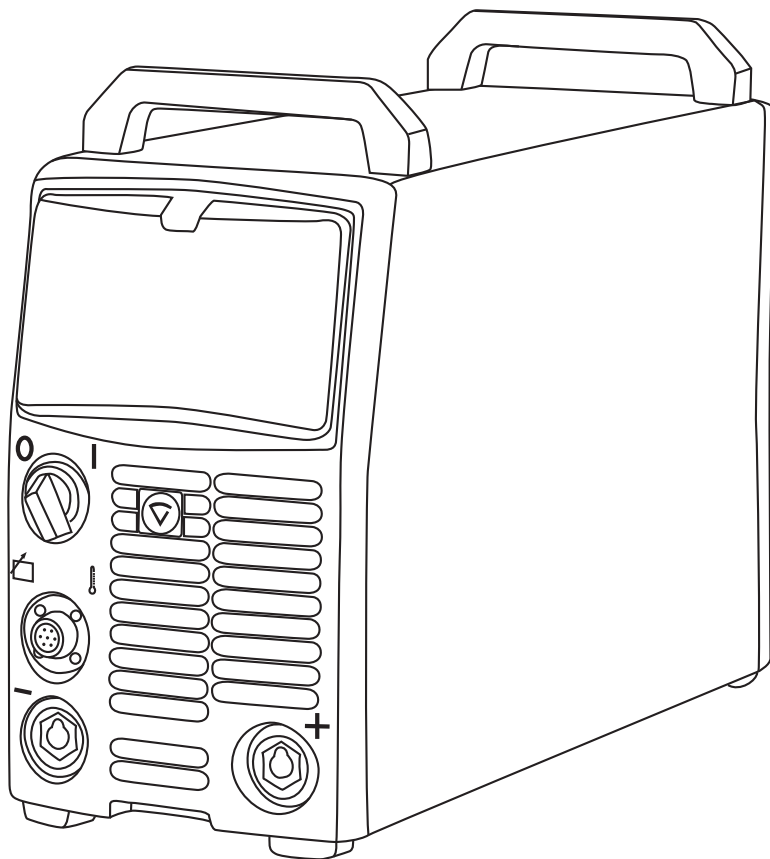


# FastMig™

KMS 300, 400, 500



Operating manual • English **EN**

Käyttöohje • Suomi **FI**

Bruksanvisning • Svenska **SV**

Bruksanvisning • Norsk **NO**

Brugsanvisning • Dansk **DA**

Gebrauchsanweisung • Deutsch **DE**

Gebruiksaanwijzing • Nederlands **NL**

Manuel d'utilisation • Français **FR**

Manual de instrucciones • Español **ES**

Instrukcja obsługi • Polski **PL**

Инструкции по эксплуатации • По-русски **RU**

操作手册 • 中文 **ZH**

Manual de utilização • Português **PT**

Manuale d'uso • Italiano **IT**



# **OPERATING MANUAL**

**English**

## CONTENTS

<b>1. PREFACE</b> .....	3
1.1 General.....	3
1.2 Product introduction.....	3
1.2.1 Operation control and connectors.....	4
1.3 Accessories.....	4
1.3.1 Remote control devices.....	4
1.3.2 Cables.....	5
<b>2. INSTALLATION</b> .....	5
2.1 Positioning of the machine.....	5
2.2 Distribution network.....	5
2.3 Connection to the mains supply.....	6
2.4 Welding and earth cables.....	7
<b>3. OPERATION CONTROL SWITCHES AND POTENTIOMETERS</b> ... 7	7
3.1 Main switch I/O.....	7
3.2 Pilot lamps.....	7
3.3 Operation of cooling fan.....	7
<b>4. MANUAL METAL ARC WELDING</b> .....	7
<b>5. MAINTENANCE</b> .....	8
5.1 Cables.....	8
5.2 Power source.....	8
5.3 Regular maintenance.....	8
<b>6. OPERATION DISTURBANCES</b> .....	8
6.1 Operation of the overload protection.....	8
6.2 Control fuses.....	9
6.3 Under- and overvoltages in the mains supply.....	9
6.4 Loss of a phase in the mains supply.....	9
<b>7. DISPOSAL OF THE MACHINE</b> .....	9
<b>8. ORDERING NUMBERS</b> .....	10
<b>9. TECHNICAL DATA</b> .....	11

# 1. PREFACE

## 1.1 GENERAL

Congratulations on choosing the FastMig welding equipment. Used correctly, Kemppi products can significantly increase the productivity of your welding, and provide years of economical service.

This operating manual contains important information on the use, maintenance and safety of your Kemppi product. The technical specifications of the equipment can be found at the end of the manual.

Please read the manual carefully before using the equipment for the first time. For your own safety and that of your working environment, pay particular attention to the safety instructions in the manual.

For more information on Kemppi products, contact Kemppi Oy, consult an authorised Kemppi dealer, or visit the Kemppi web site at [www.kemppi.com](http://www.kemppi.com).

The specifications presented in this manual are subject to change without prior notice.

### **Important notes**

Items in the manual that require particular attention in order to minimise damage and personal harm are indicated with the '**NOTE!**' notation. Read these sections carefully and follow their instructions.

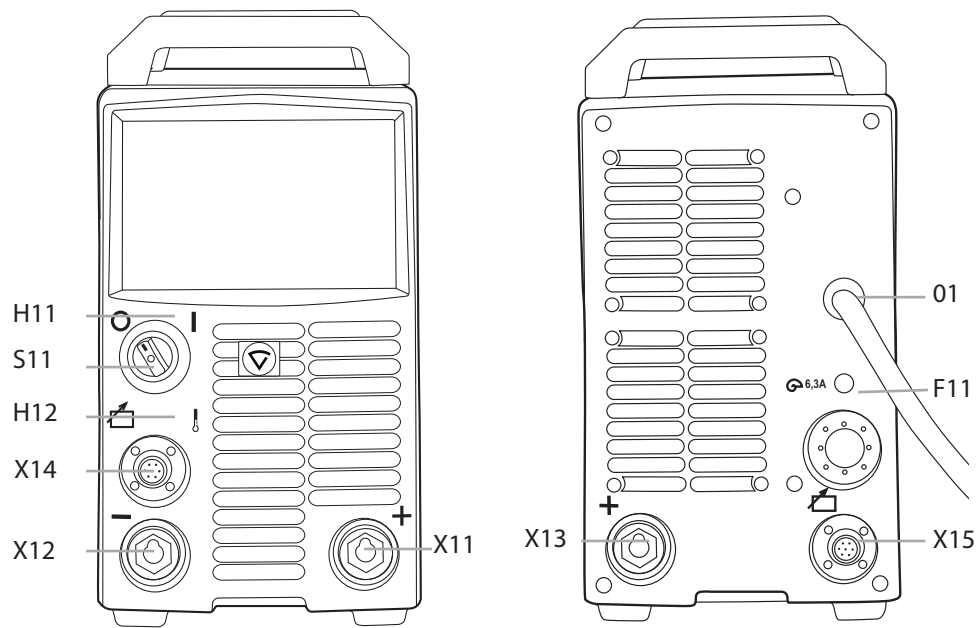
### **Disclaimer**

While every effort has been made to ensure that the information contained in this guide is accurate and complete, no liability can be accepted for any errors or omissions. Kemppi reserves the right to change the specification of the product described at any time without prior notice. Do not copy, record, reproduce or transmit the contents of this guide without prior permission from Kemppi.

## 1.2 PRODUCT INTRODUCTION

FastMig KMS 300, 400 and 500 are multi-operator power sources designed for demanding professional use. They are suitable for MMA and MIG welding in DC.

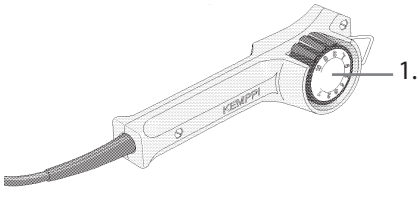
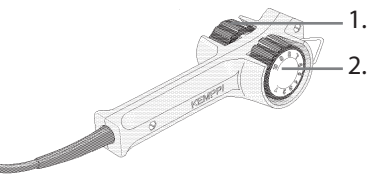
## 1.2.1 Operation control and connectors



<b>F11</b>	Fuse for connection for control table	6,3 A delayed	<b>X12</b>	Earth connection	
<b>H11</b>	Signal lamp	I/O	<b>X14, X15</b>	Connection for control cable	parallel
<b>H12</b>	Warning lamp for thermal protection		<b>01</b>	Inlet of mains cable	
<b>S11</b>	Main switch	I/O			
<b>X11, X13</b>	Welding connection	parallel			

## 1.3 ACCESSORIES

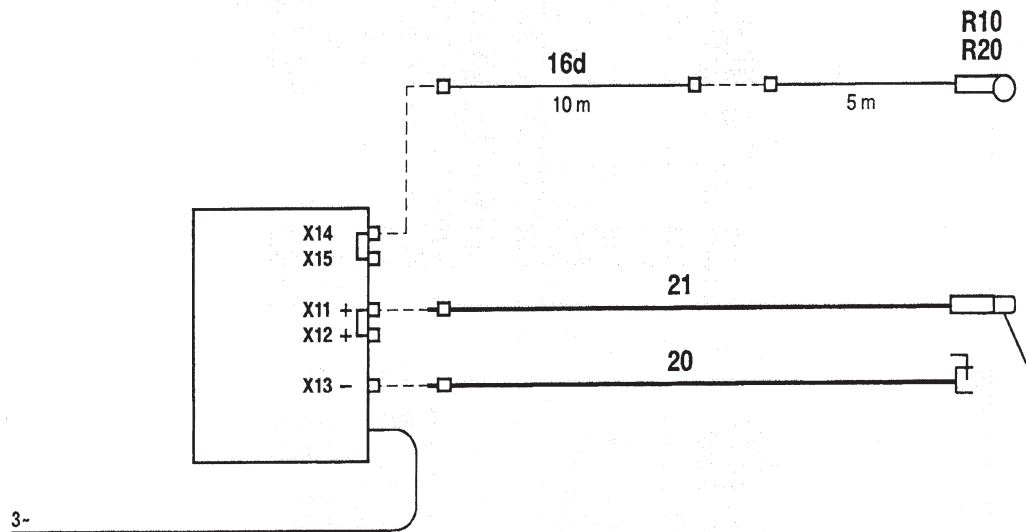
### 1.3.1 Remote control devices

<b>R10</b>		1. Control of MMA/TIG welding current, reference scale 1 – 5.
<b>R20</b>		1. Wire feed adjustment, electrode current adjustment. 2. Voltage adjustment.

MIG-MAG remote control device with controls for wire feed and voltage, memory scales 1 – 5. You can use control device also for control of MMA current.

## 1.3.2 Cables

### FastMig KMS 300, FastMig KMS 400, FastMig KMS 500



16d	Extension cable for remote control
20	Earth cable
21	MMA welding cable
R10, R20	Remote control devices

## 2. INSTALLATION

### 2.1 POSITIONING OF THE MACHINE

Place the machine on a firm, dry and level surface. Where possible, do not allow dust or other impurities to enter the machine's cooling air flow. Preferably site the machine above floor level; for example on a suitable carriage unit.

Notes for positioning the machine

- The surface inclination should not exceed 15 degrees.
- Ensure the free circulation of the cooling air. There must be at least 20 cm of free space in front of and behind the machine for cooling air to circulate.
- Protect the machine against heavy rain and direct sunshine.

*NOTE! The machine should not be operated in the rain as the protection class of the machine, IP23S, allows for outside preserving and storage only.*

*NOTE! Never aim metallic grinding spray/sparks towards the equipment.*

### 2.2 DISTRIBUTION NETWORK

All regular electrical devices without special circuits generate harmonic currents into distribution network. High rates of harmonic current may cause losses and disturbance to some equipment.

#### FastMig KM 500:

This equipment complies with IEC 61000-3-12 provided that the short-circuit power  $S_{SC}$  is greater than or equal to 4.6 MVA at the interface point between the user's supply and the public supply network. It is the responsibility of the installer or user of the equipment to ensure, by consultation with the distribution network operator if necessary, that the equipment is connected only to a supply with a short-circuit power  $S_{SC}$  greater than or equal to 4.6 MVA.

**FastMig KM 400:**

This equipment complies with IEC 61000-3-12 provided that the short-circuit power  $S_{sc}$  is greater than or equal to 4.7 MVA at the interface point between the user's supply and the public supply network. It is the responsibility of the installer or user of the equipment to ensure, by consultation with the distribution network operator if necessary, that the equipment is connected only to a supply with a short-circuit power  $S_{sc}$  greater than or equal to 4.7 MVA.

**FastMig KM 300:**

**WARNING:** This equipment does not comply with IEC 61000-3-12. If it is connected to a public low voltage system, it is the responsibility of the installer or user of the equipment to ensure, by consultation with the distribution network operator if necessary, that the equipment may be connected.

## 2.3 CONNECTION TO THE MAINS SUPPLY

FastMig power sources are delivered equipped with 5 m mains cable without plug.


If local electricity regulations of operating country are stating otherwise, the mains cable should be replaced in conformity with the local regulations.

Connection of the mains cable, mounting and change of the plug should only be carried out by a competent electrician.

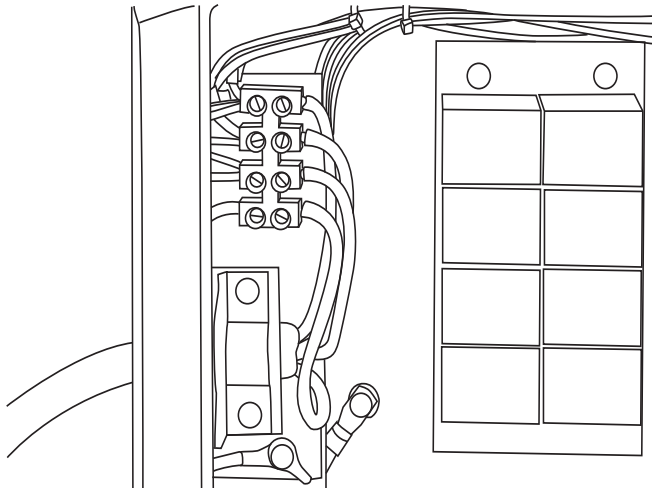
Remove the machine's right side plate to enable the mounting of a mains cable.

KMS power sources can be connected to the mains supply of 400 V 3~.

### If changing the mains cable take into consideration the following:

The cable is entered into the machine through the inlet ring on the rear panel of the machine and fastened with a cable clamp (05). The phase conductors of the cable are coupled to connectors L1, L2 and L3. The earth protection coloured green-yellow is coupled to connector. 

**NOTE!** If you are using 5-lead cable, do not connect neutral conductor.



Sizes of the mains cables and fuse ratings for the machine at 100 % duty cycle are specified in the table below:

	Rated voltage	Mains voltage range	Fuses, slow-blow	Connection cable *) mm <sup>2</sup>
KMS 300	400 V 3~	360 V – 440 V	20 A	4 x 6.0 S
KMS 400	400 V 3~	360 V – 440 V	25 A	4 x 6.0 S
KMS 500	400 V 3~	360 V – 440 V	35 A	4 x 6.0 S

\*) In cables of S type there is a protective grounding conductor coloured green-yellow.



## 2.4 WELDING AND EARTH CABLES

Recommended copper cables with cross-sectional area are as follows:

FastMig KMS 300 50 – 70 mm<sup>2</sup>

FastMig KMS 400 70 – 90 mm<sup>2</sup>

FastMig KMS 500 70 – 90 mm<sup>2</sup>

In enclosed table are shown typical load capacities of rubber insulated copper cables, when ambient temperature is 25 °C and lead temperature is 85 °C.

Cable	Duty cycle ED			Voltage loss / 10 m
	100 %	60 %	30 %	
50 mm <sup>2</sup>	285 A	370 A	520 A	0.35 V / 100 A
70 mm <sup>2</sup>	355 A	460 A	650 A	0.25 V / 100 A
95 mm <sup>2</sup>	430 A	560 A	790 A	0.18 V / 100 A

Do not overload welding cables due to voltage losses and heating.

Fasten the earth clamp of the return current cable carefully, preferably direct onto the piece to be welded. The contact surface of the earth clamp should always be as large as possible.

Clean the fastening surface from paint and rust.

## 3. OPERATION CONTROL SWITCHES AND POTENTIOMETERS

### 3.1 MAIN SWITCH I/O

When you turn the switch into I-position, pilot lamp H11 on the front face is illuminated and the machine is ready for use.

*NOTE!* Always turn the machine on and off with the mains switch, never use the mains plugs as a switch.

### 3.2 PILOT LAMPS

The pilot lamps of the machine report the electric operation:

The green pilot lamp H11 when lit indicates that the machine is on and ready for use and it is connected to the mains supply with the main switch in the I-position.

H12 indicates when lit that the thermal protection of the machine has been activated due to over heating. The cooling fan will continue to run and cool the machine down and when the lamp is off the machine is ready to weld.

### 3.3 OPERATION OF COOLING FAN

In FastMig power sources there are two simultaneously operating fans.

- The fan is started for a moment when main switch is placed into position I.
- The fan will start during welding as the machine heats up and it will run for 1 to 10 minutes after the welding has stopped.

## 4. MANUAL METAL ARC WELDING

The FastMig power source can be used in electrode welding by connecting a FastMig MFS 53, MFS 55 or MSF 57 wire feeder to it. The power source can be made suitable for electrode welding without a wire feeder by connecting an R10 or R20 remote control to the X14 or X15 terminal at the back of the power source for welding current adjustment, and the welding power cable connected to the power source's (+) connector X11 or X12.

## 5. MAINTENANCE

The amount of use and the working environment should be taken into consideration when planning the frequency of maintenance of the machine. Careful use and preventive maintenance will help to ensure trouble-free operation.

### 5.1 CABLES

Check the condition of welding and connection cables daily. Do not use damaged cables. Make sure that the mains cables in use are safe and according to laid down regulations. The repair and mounting of a mains connection cable should be carried out only by an authorised electrician.

### 5.2 POWER SOURCE

*NOTE! Disconnect the plug of the machine from the mains socket and wait approx. 2 minutes (capacitor charge) before removing the cover plate.*

Check at least every half year:

- Electric connectors of the machine – clean the oxidised parts and tighten the loosened ones.

*NOTE! You must know correction tension torques before starting the reparation of the joints.*

- Clean the inner parts of the machine from dust and dirt e.g. with a soft brush and vacuum cleaner. Also clean the ventilation net behind the front grate.
- Do not use compressed air, there is a risk that dirt is packed even more tightly into gaps of cooling profiles.
- Do not use pressure washing device.
- Only authorised electrician shall carry out repairs to the machines.

### 5.3 REGULAR MAINTENANCE

Kemppi Service Workshops make regular maintenance according to agreement.

**The major points in the maintenance procedure are listed as follows:**

- Cleaning of the machine
- Checking and maintenance of the welding tools
- Checking of connectors, switches and potentiometers
- Checking of electric connections
- Checking of mains cable and plug
- Damaged parts or parts in bad connection are replaced by new ones
- Maintenance testing. Operation and performance values of the machine are checked, and adjusted when necessary by means of test equipment.

## 6. OPERATION DISTURBANCES

In the event of a failure of the machine, contact an authorised Kemppi service agent or your local Kemppi dealer.

Check the maintenance objects before the machine is sent to the Service Workshop.

### 6.1 OPERATION OF THE OVERLOAD PROTECTION

Yellow pilot lamp H12 of thermal protection is lit when thermostat has operated due to overheating of machine.

The thermostat of machine will operate, if machine is continuously loaded over rated values or cooling air circulation is blocked.

Cooling fan cools down the machine and when the pilot lamp is not lit the machine is automatically ready for welding.

## 6.2 CONTROL FUSES

Fuse F11, 6.3 A delayed, on the rear wall of machine is as protection for connection of auxiliary devices X14-15.

*NOTE! Use same type and rating of fuse which is marked beside the fuse adapter. Damage caused by a wrong type fuse is not covered by the guarantee.*

## 6.3 UNDER- AND OVERVOLTAGES IN THE MAINS SUPPLY

Primary circuits of machine are protected against sudden, transient overvoltages.

Machine is designed to withstand 3 x 440 V voltage continuously (see technical data). See to it that voltage is kept within admissible limits especially when mains supply is taken e.g. from combustion engine generator.

If the mains has undervoltage (under approx. 300 V) or overvoltage (over approx. 480 V) machine control stops to operate automatically.

## 6.4 LOSS OF A PHASE IN THE MAINS SUPPLY

Loss of a phase causes noticeable poorer welding properties than normally or the machine doesn't get started at all. Loss of a phase can be due to following:

- blowing of mains supply fuse
- defective mains cable
- bad connection of mains connection cable on terminal block or plug of machine

## 7. DISPOSAL OF THE MACHINE



Do not dispose of electrical equipment with normal waste!

In observance of European Directive 2002/96/EC on waste electrical and electronic equipment, and its implementation in accordance with national law, electrical equipment that has reached the end of its life must be collected separately and taken to an appropriate environmentally responsible recycling facility.

The owner of the equipment is obliged to deliver a decommissioned unit to a regional collection centre, per the instructions of local authorities or a Kemppe representative. By applying this European Directive you will improve the environment and human health.

## 8. ORDERING NUMBERS

<b>FastMig KMS 300</b>		6053000
<b>FastMig KMS 400</b>		6054000
<b>FastMig KMS 500</b>		6055000
<b>Wire feeders</b>		
<b>MXF 65</b>		6152100EL
<b>MXF 67</b>		6152200EL
<b>MXF 63</b>		6152300EL
<b>MXF 65</b>		6152100
<b>MXF 67</b>		6152200
<b>MXF 63</b>		6152300
<b>Panels for wire feeders</b>		
<b>SF 51</b>		6085100
<b>SF 52W</b>		6085200W
<b>SF 53W</b>		6085300W
<b>SF 54</b>		6085400
<b>Accessories</b>		
<b>Return current cable</b>	5 m, 50 mm <sup>2</sup>	6184511
<b>Return current cable</b>	5 m, 70 mm <sup>2</sup>	6184711
<b>Cable for MMA welding</b>	5 m, 50 mm <sup>2</sup>	6184501
<b>Cable for MMA welding</b>	5 m, 70 mm <sup>2</sup>	6184701
<b>R10</b>		6185409
<b>Remote controlled interconnecting cable</b>	10 m	6185481
<b>Cooling unit FastCool 10</b>		6068100
<b>Transport unit PM 500</b>		6185291
<b>Gun holder GH 30</b>		6256030

## 9. TECHNICAL DATA

	FastMig KMS 300	FastMig KMS 400	FastMig KMS 500
<b>Connection voltage</b>			
3~, 50/60 Hz	400 V -15 %...+20 %	400 V -15 %...+20 %	400 V -15 %...+20 %
<b>Rated power</b>			
60 ED	-	-	26.1 kVA
80 % ED	-	19.5 kVA	-
100 % ED	13.9 kVA	18.5 kVA	20.3 kVA
Connection cable	H07RN-F 4G6 (5 m)	H07RN-F 4G6 (5 m)	H07RN-F 4G6 (5 m)
Fuse (delayed)	25 A	35 A	35 A
<b>Output 40 °C</b>			
60 % ED	-	-	500 A
80 % ED	-	400 A	-
100 % ED	300 A	380 A	430 A
<b>Welding current and voltage range</b>			
MMA	10 A – 300 A	10 A – 400 A	10 A – 500 A
MIG	10 V – 37 V	10 V – 39 V	10 V – 42 V
Max. welding voltage	46 V	46 V	46 V
Open circuit voltage	50 V	50 V	50 V
Idle power	25 W	25 W	25 W
Efficiency at max. current	87 %	87 %	87 %
Power factor at max. current	0.9	0.9	0.9
Operating temperature range	-20 ... +40 °C	-20 ... +40 °C	-20 ... +40 °C
Storage temperature range	-40 ... +60 °C	-40 ... +60 °C	-40 ... +60 °C
Degree of protection	IP23S	IP23S	IP23S
EMC class	A	A	A
Minimum short circuit power $S_{sc}$ of supply network*	-	4.7 MVA	4.6 MVA
<b>External dimensions</b>			
length	590 mm	590 mm	590 mm
width	230 mm	230 mm	230 mm
height	430 mm	430 mm	430 mm
weight	34 kg	35 kg	36 kg
Voltage supply for auxiliary devices	50 V DC	50 V DC	50 V DC
X14, X15	fuse 6.3 A delayed	fuse 6.3 A delayed	fuse 6.3 A delayed
Operating voltage (for cooling unit)	400 V -15 %...+20 %	400 V -15 %...+20 %	400 V -15 %...+20 %

\* See paragraph 2.2.

**KEMPPI OY**

Hennalankatu 39  
PL 13  
FIN-15801 LAHTI  
FINLAND  
Tel +358 3 899 11  
Telefax +358 3 899 428  
export@kemppi.com  
www.kemppi.com

**Kotimaan myynti:**

Tel +358 3 899 11  
Telefax +358 3 734 8398  
myynti.fi@kemppi.com

**KEMPPI SVERIGE AB**

Box 717  
S-194 27 UPPLANDS VÄSBY  
SVERIGE  
Tel +46 8 590 783 00  
Telefax +46 8 590 823 94  
sales.se@kemppi.com

**KEMPPI NORGE A/S**

Postboks 2151, Postterminalen  
N-3103 TØNSBERG  
NORGE  
Tel +47 33 346000  
Telefax +47 33 346010  
sales.no@kemppi.com

**KEMPPI DANMARK A/S**

Literbuen 11  
DK-2740 SKOVLUNDE  
DANMARK  
Tel +45 4494 1677  
Telefax +45 4494 1536  
sales.dk@kemppi.com

**KEMPPI BENELUX B.V.**

Postbus 5603  
NL-4801 EA BREDA  
NEDERLAND  
Tel +31 765717750  
Telefax +31 765716345  
sales.nl@kemppi.com

**KEMPPI (UK) Ltd**

Martti Kemppi Building  
Fraser Road  
Priory Business Park  
BEDFORD, MK44 3WH  
UNITED KINGDOM  
Tel +44 (0)845 6444201  
Telefax +44 (0)845 6444202  
sales.uk@kemppi.com

**KEMPPI FRANCE S.A.S.**

65 Avenue de la Couronne des Prés  
78681 EPONE CEDEX  
FRANCE  
Tel +33 1 30 90 04 40  
Telefax +33 1 30 90 04 45  
sales.fr@kemppi.com

**KEMPPI GmbH**

Otto-Hahn-Straße 14  
D-35510 BUTZBACH  
DEUTSCHLAND  
Tel +49 6033 88 020  
Telefax +49 6033 72 528  
sales.de@kemppi.com

**KEMPPI SPÓŁKA Z O.O.**

Ul. Borzymowska 32  
03-565 WARSZAWA  
POLAND  
Tel +48 22 7816162  
Telefax +48 22 7816505  
info.pl@kemppi.com

**KEMPPI AUSTRALIA PTY LTD.**

13 Cullen Place  
P.O. Box 5256, Greystanes NSW 2145  
SMITHFIELD NSW 2164  
AUSTRALIA  
Tel. +61 2 9605 9500  
Telefax +61 2 9605 5999  
info.au@kemppi.com

**ООО КЕМППИ**

Polkovaya str. 1, Building 6  
127018 MOSCOW  
RUSSIA  
Tel +7 495 739 4304  
Telefax +7 495 739 4305  
info.ru@kemppi.com

**ООО КЕМППИ**

ул. Полковная 1, строение 6  
127018 Москва  
Tel +7 495 739 4304  
Telefax +7 495 739 4305  
info.ru@kemppi.com

**KEMPPI, TRADING (BEIJING) COMPANY, LIMITED**

Room 420, 3 Zone, Building B,  
No.12 Hongda North Street,  
Beijing Economic Development Zone,  
100176 Beijing  
CHINA  
Tel +86-10-6787 6064  
+86-10-6787 1282  
Telefax +86-10-6787 5259  
sales.cn@kemppi.com  
肯倍贸易 (北京) 有限公司  
中国北京经济技术开发区宏达北路12号  
创新大厦B座三区420室 (100176)  
电话 : +86-10-6787 6064  
+86-10-6787 1282  
传真 : +86-10-6787 5259  
sales.cn@kemppi.com

**KEMPPI INDIA PVT LTD**

LAKSHMI TOWERS  
New No. 2/770,  
First Main Road,  
KAZURA Gardens,  
Neelangarai,  
CHENNAI - 600 041  
TAMIL NADU  
Tel +91-44-4567 1200  
Telefax +91-44-4567 1234  
sales.india@kemppi.com